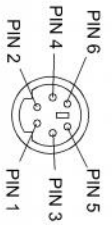
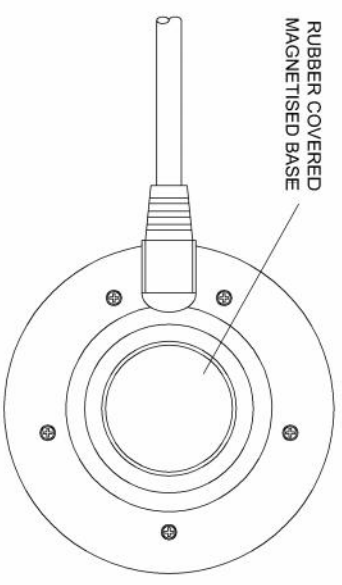
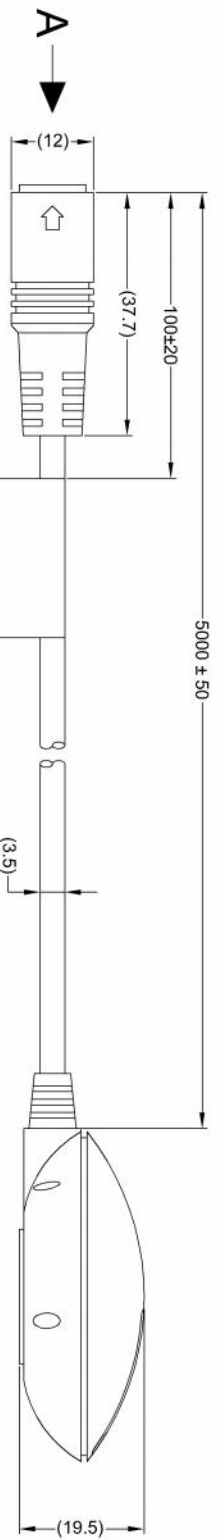
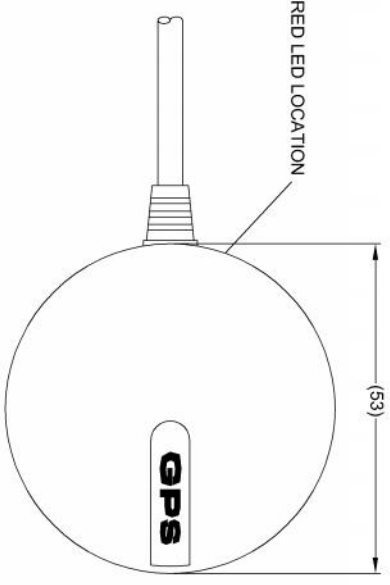


VIEW A



**6 PIN FEMALE
MATING FACE**

PIN #	DESCRIPTION
1	NOT USED
2	RX
3	GROUND
4	TX
5	NOT USED
6	+5VDC



- NOTES:**
1. FOR CABLE LABEL REFER TO LATEST REVISION OF DRAWING BE-001500-XX-11.
 2. FOR MANUFACTURING CONTROLS REFER TO ASSEMBLY PLANT DRAWING: SH-96251.
 3. LED WILL STAY LIT WHEN SEARCHING FOR GPS SIGNAL. WHEN GPS SIGNAL IS LOCKED THE LED WILL BLINK.
 4. FOR GIFTBOX LABEL REFER TO LATEST REVISION OF DRAWING: BE-002009-XX-12.
 5. FOR PRODUCT LABEL REFER TO LATEST REVISION OF DRAWING: BE-002008-XX-12.

PROPRIETARY NOTICE
 THIS DESIGN AND TECHNICAL INFORMATION APPEARING ON THIS DRAWING IS THE PROPERTY OF BRIGADE ELECTRONICS. AND IS DISCLOSED IN CONFIDENCE. IT IS NOT TO BE COPIED, REPRODUCED, REVEALED TO OR EXPROPRIATED BY OTHERS, EITHER IN WHOLE OR IN PART WITHOUT THE EXPRESS WRITTEN CONSENT OF BRIGADE ELECTRONICS.



Assembly Pl Approval JSHH - 02/05/12		Approved by DKERAL		Checked by MBUTLER		Drawn by JNEWMAN	
Angle of Projection 		Units mm	Scale N/A	Released 10/05/12	Status RELEASED		Assembly Ref M06f/1016f-5-03M
Third Angle		Stock Code 2925A		GPS-6015-050		BE-001989-00-12	